



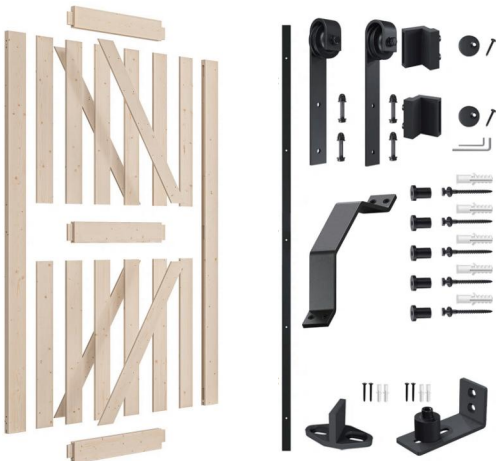
BARN DOORS

Stylish barn doors combining rustic charm with modern functionality.





CRAFTSMANSHIP



Our barn doors are meticulously crafted from premium solid woods such as oak, pine, or birch—carefully selected for their natural strength, long-term durability, and classic visual appeal. Each door is assembled by skilled artisans using time-honored joinery techniques like mortise-and-tenon and dovetail, delivering exceptional structural integrity and a handcrafted finish that enhances any interior space.

Each set includes precision-cut wood panels and a full hardware kit—track, rollers, handle, floor guide, and fasteners—for smooth installation. Designed for both beauty and function, they're perfect for rustic, modern, or transitional interiors.

*Inspired by classic craftsmanship and natural materials, our painted barn doors blend rustic charm with refined details—perfect for creating a warm, welcoming interior feature.

DESIGN OPTIONS



MOLDED BARN



SHAKER BARN



*With a variety of styles, colors, and panel layouts, our barn doors adapt to modern, farmhouse, or transitional spaces—offering both visual character and functional flexibility.

Crafted By Experts. Trusted Around The World.

With years of experience in wood-based building materials, we deliver high-quality doors, mouldings, and cabinets designed for performance, style, and long-term value. Whether you're outfitting a single home or managing large-scale projects, we're here to support you—every step of the way.

